



Att



NANYANG EXPLOSION PROTECTION GROUP CO., LTD.

YB2 Series



- Explosion Proof
- Flame Proof
- Three Phase Induction Motors

Nanyang Explosion Protection Group Co. Ltd (hereafter indicated as CNE) locates in Nanyang city, Henan province, is the largest scientific research and production base of explosion-proof motors in China, the national export base for electro-mechanic products, and the national innovation enterprise as well as the chairman member of Ex motors branch of CEEIA.

Its main products include various explosion-proof motors, general-purpose motors, motor/generators, light-weighted generators, Ex-blowers, explosion-proof electric apparatus as well as monitoring instruments with total 218 series, 2388 varieties and 96233 specifications, covering motors from 0.12kW to 100MW applicable for many industries like petroleum, coal mine, chemical, metallurgical, electric power, military industry, nuclear power and so on. The annual production capability is 10 million kW registered trademark is "CNE".

CNE owns 5 subsidiaries, locating in 3 cities, Nanyang, Shanghai and Chenzhou. Mr. Wei Huajun is the president and legal representative of the company. CNE has taken the product quality as the core competition. CNE brand Ex-motors have been awarded as the China Top Brand Products and the output from 1 to 1000 kW motors gained the national exemption certificate of product quality. The company obtained the ISO 9001 Quality Management System Certificate, ISO10012 Calibration System Certificate, OHS18001 Occupational Health and Safety Management System Certificate, ISO14001 Environmental Management System Certificate.

CNE is the first manufacturer in China to get the production license for Ex-motors. All the products for coal mines application are certified and marked with coal-mine safety logo and the marine duty motors are certified by China Ship Certificate Authority. The export products gained the certificates of UL and CC of USA, CSA of Canada, ATEX and CE of EU, NEMKO of Norway, SABS of South Africa and TESTSAFE of Australia etc. Thus, CNE obtained the most international certificates in the same industry in China.

CNE has strong research and development capability and owns the national identified enterprise technical center, national accredited laboratory and post-doctoral scientific research station. It possesses 560 experienced engineers including 210 specialists at medium & senior professional title.

CNE has participated the drawing-up or revision of 1 international standard, 12 of national standard and 39 of industrial standard. It gained 104 national patents including 9 patents for invention, 7 state key & high-tech products, 3 state Torch-plan products, 1 state technology supporting plan product, 8 provincial high-tech award products as well as undertaking the task of 4 sciences and technology research for province and 1 for Sinopec.



CONTENTS

PAGES

1. General Explosion Proof Knowledge -----	4
2. Technical Specifications -----	5 - 6
3. Certifications -----	7
4. Mounting and Overall Dimensions -----	8 - 15
5. Performance Data -----	16 - 23



The Area Classification of Explosion proof Motors: Hazardous areas are classified into Zone 0, Zone 1 and Zone 2, which are shown in Table 1.

Area	Area Classification	The Motor Used
Zone 0	Explosive Area	None
Zone 1	Frequent Explosive Area	Ex d motors
Zone 2	Occasional Explosive Area	Ex d, Ex e or EX nA motors

Electrical Apparatus Grouping: Group I refers to electrical apparatus for mines susceptible to firedamp. Group II refers to electrical apparatus for places with an explosive gas atmosphere other than mines susceptible to firedamp. Electrical apparatus of Group II is subdivided into IIA, IIB and IIC according to the nature of the explosive gas atmosphere. Examples of the explosive gas, vapour and temperature class of Group II are given in table 2.

Class	Temperature Class				
	T1	T2	T3	T4	T5
IIA	Methane acetate Ethane, Propane, Styrene, Benzene, Xylene, Toluene, Carbon monoxide	Butanol, Butane, Ethanol, Propylene, Ethylbenzene, Methanol, Propanol	Cyclohexane, Pentane, Hexane, Heptane and Octane, Kerosene, Diesel, Gasoline, Decane	Acetaldehyde	
IIB	Propargyl, Cyclopropane, Coke oven and Coal gas	Ethylene oxide, Ethylene, 1,2-Epoxypropane	Dme, Tetrahydrofurfuryl ether, Butenal, Acrolein, Hydrogen sulfide	Ethyl methyl ether, Diethyl ether, Tetrafluoroethylene	
IIC	Hydrogen	Acetylene			Carbon bisulfide

Classification of maximum surface temperatures of Group II electrical apparatus are given in Table 3

Temperature Class		T1	T2	T3	T4	T5
Maximum Allowable	Outdoor	440	290	190	125	90
Motor Enclosure Temperature (oC)	Indoor	450	300	200	135	100

General description

Att's YB2 Series Flameproof Three Phase Induction motors are uniquely designed to contain sparks within the motor without igniting external vapours. This makes them safe for use in hazardous locations. They are manufactured in China and certified in Norway.

Standards and Specifications

The main dimensions and rated outputs of the YB2 series motors conform to the specifications of the International Electrotechnical Commission, German DIN42673 and China National Standards.

These include the IEC79-1, BS4683, EN50018 and China National Standards GB3836.1-2000 and GB3836.2-2000.

Explosion-Proof Markings

Its explosion-proof markings are as follows:

- Exd I: safe to use in non-mining surfaces of underground coal mines that may contain explosive mixtures of methane or coal dust.
- Exd II AT4: safe to use in plants where explosive mixtures of II A Class, T1, T2, T3, T4 are present.
- Exd II BT4: safe to use in plants where the explosive mixtures of II B Class, T1, T2, T3, T4 are present.
- Exd II CT4: safe to use in plants where explosive mixtures of II C Class, T1, T2, T3, T4 are present.

Degree of Protection

The level of enclosure protection for YB2 series is IP55.

Insulation Class

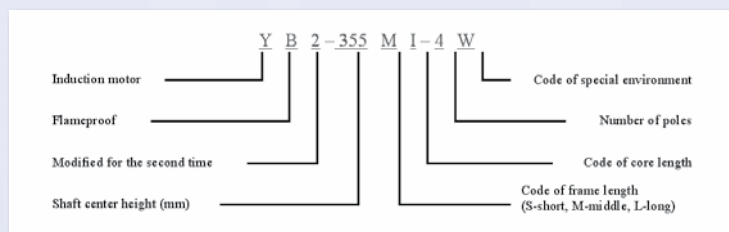
The YB2 series motors have F class insulation.

Operating Parameters

YB2 series motors are designed with the following parameters:

- Continuous duty (S1)
- Rated Voltages: 380, 660, 1140, 380/660 and 660/1140 Volts
- 50Hz power supply
- Ambient temperature ranges between -20°C to 40°C
- Installation altitudes of up to 1000m above sea-level

Product Code Specification



Environment Code Specification

- YB2 : basic type, suitable for indoor environment.
- YB2-W : outdoor environment.
- YB2-TH : indoor tropical humid environment.
- YB2-THW : outdoor tropical humid environment.
- YB2-TA : indoor tropical arid environment.
- YB2-TAW : outdoor tropical arid environment.
- YB2-T : indoor tropical environment.
- YB2-TW : outdoor tropical environment.
- YB2-WF1 : outdoor middle-class chemical corrosion environment.

Bearings

Bearings provided are covered and well coupled with spring washers. For frame 160 and above, grease nipples are provided for easy maintenance. For frame 250 and above, space is provided for additional installation of bearing temperature sensors.

Terminal box Specifications	Frame size	Number of entry	Max. outer diameter of inlet cable	Thread of conduit entry	Scope of supply
M4	63 - 71	One	Ø20	M24*1.5	Normal
M5	80 - 132	One	Ø25	M30*2	Normal
M6	160 - 180	One	Ø35	M36*2	Normal
M8	200 - 225	One	Ø42	M48*2	Normal
M8	200 - 225	Two	Ø42	M48*2	Abnormal
M10	250 - 280	One	Ø50	M64*2	Normal
M10	250 - 280	Two	Ø42	M48*2	Abnormal
M16	315	Two	Ø50	M64*2	Normal
M16	355	Two	Ø65	M72*2	Normal

Table 1 Terminal Box Specifications

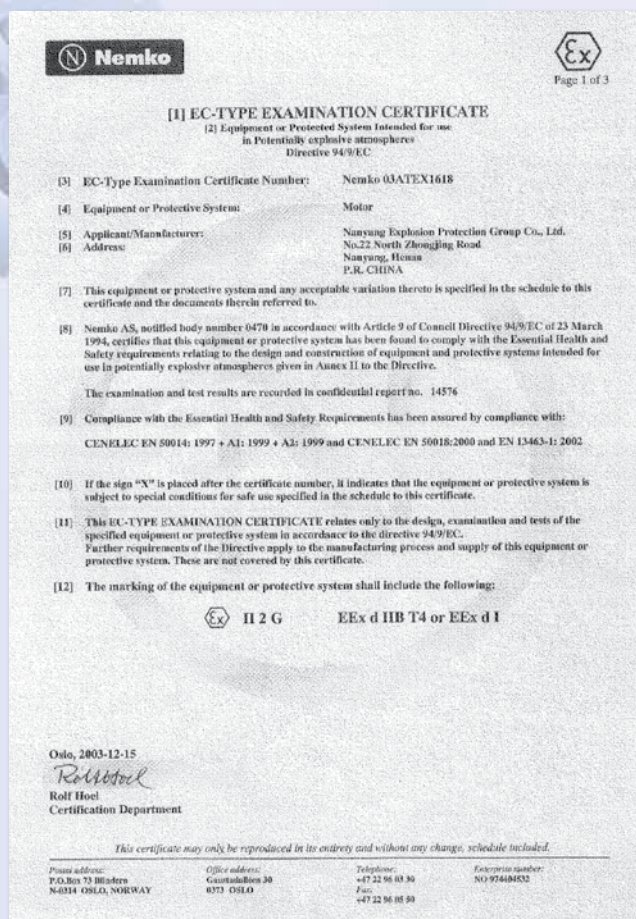
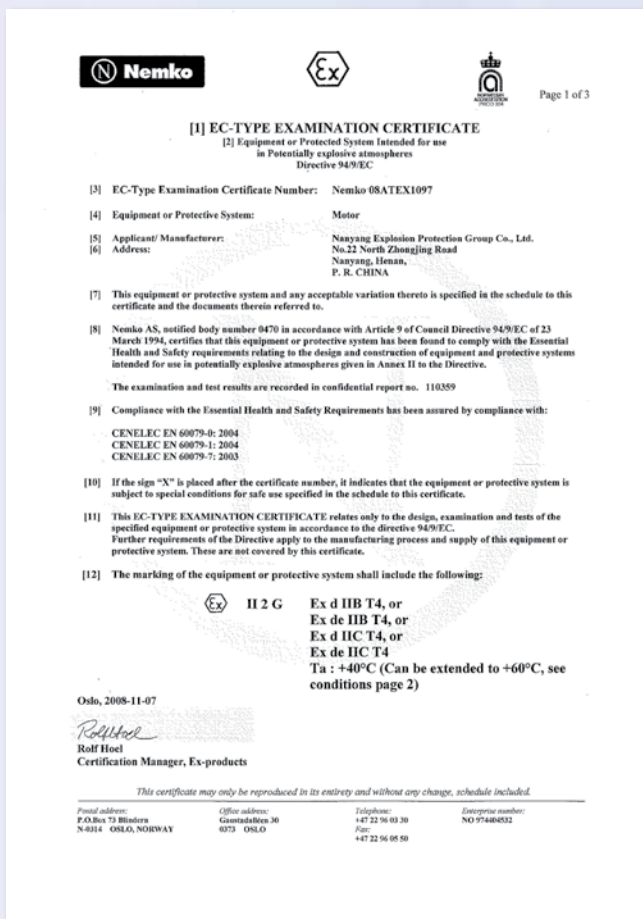
Mounting

Types of Mounting available:

- B3: Foot-mounted and flangeless.
- B5: Flange-mounted and footless.
- B35: With both foot and flange mounted.
- B14: Footless and small flange-mounted.
- B34: With both foot and small flange mounted

Frame Size	Mounting Arrangements
63 - 71	B3, B5, B7, B8, B14, B34, V1, V3, V5, V6, V18
80 - 112	B3, B5, B6, B7, B8, B14, B34, B35, V1, V3, V5, V6, V15, V18, V36
132 - 160	B3, B5, B6, B7, B8, B35, V1, V3, V5, V6, V15, V36
180 - 280	B3, B5, B35, V1
315 - 355	B3, B35, V1

Table 3 Mounting Arrangements by Frame Size



Introduction of Nemko

Nemko is a founding member of several multi-national certification agreements, including the European ENEC, the international IECEx/CB-scheme and the IECEx scheme, and is a leading supplier of international certificates for electrical/electronic equipment.

Bi-lateral agreements have been signed with a number of certification bodies in Eastern Europe, Middle East, Far East, South America and Africa, in order to offer manufacturers easy global market access for their products, both for electrical equipment and telecom products.

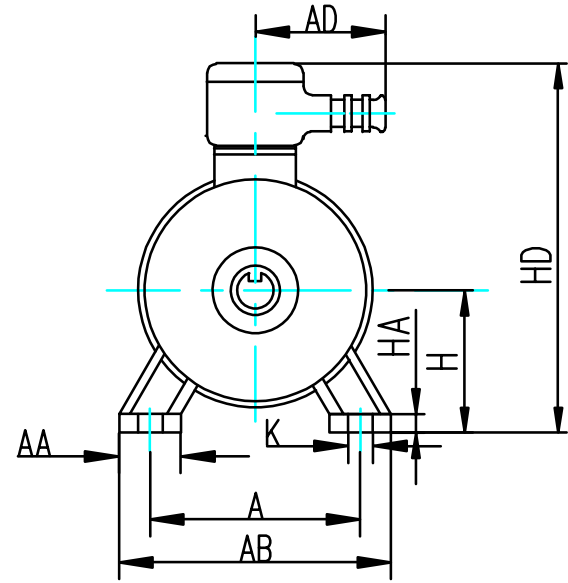
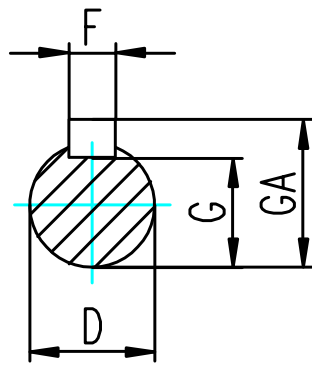
NEMKO IS APPOINTED AS AN OFFICIAL NOTIFIED BODY FOR PRODUCTS FALLING UNDER THE EUROPEAN DIRECTIVES FOR:

- Low Voltage equipment
- Medical devices
- Explosion protected equipment
- EMC (Electromagnetic Compatibility)
- Telecom equipment
- Machinery
- Marine equipment
- Automotive equipment
- Construction Products
- Noise
- Authorised for German GS-mark certification
- Authorised for Canadian national certification
- Authorised for NRTL certification in USA.

THE NEMKO GROUP HOLDS VARIOUS NATIONAL ACCREDITATIONS:

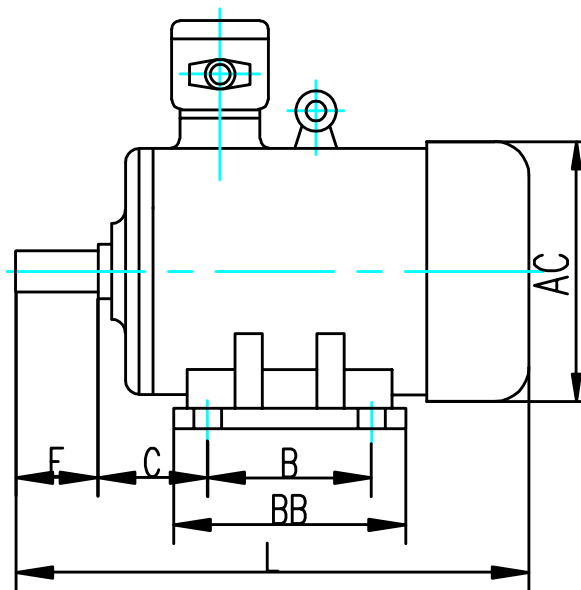
- Testing and calibration services according to ISO/IEC 17025
- Product certification according to EN 45011 / ISO/IEC Guide 65
- Management system certification to ISO/IEC 17021
- Personnel certification to ISO/IEC 17024.

Dimension Drawings



Mounting and Overall Dimension

Frame Size	A	B	C	D		E		F		G		H		
				Pole										
				2P	>4P	2P	>4P	2P	>4P	2P	>4P			
63	100	80	40	11		23		4		8.5		63		
71	112	90	45	14		30		5		11		71		
80	125	100	50	19		40		6		15.5		80		
90S	140	100	56	24		50		8		20		90		
90L	140	125	56	24		50		8		20		90		
100L	160	140	63	28		60		8		24		100		
112M	190	140	70	28		60		8		24		112		
132S	216	140	89	38		80		10		33		132		
132M	216	178	89	38		80		10		33		132		
160M	254	210	108	42		110		12		37		160		
160L	254	254	108	42		110		12		37		160		
180M	279	241	121	48		110		14		42.5		180		
180L	279	279	121	48		110		14		42.5		180		
200L	318	305	133	55		110		16		49		200		
225S	356	286	149	55	60	110	140	16	18	49	53	225		
225M	356	311	149	55	60	110	140	16	18	49	53	225		
250M	406	349	168	60	65	140	140	18	18	53	58	250		
280S	457	368	190	65	75	140	140	18	20	58	67.5	280		
280M	457	419	190	65	75	140	140	18	20	58	67.5	280		
315S	508	406	216	65	80	140	170	18	22	58	71	315		
315M	508	457	216	65	80	140	170	18	22	58	71	315		
315L	508	508	216	65	80	140	170	18	22	58	71	315		
355S	610	500	254	75	95	140	170	20	25	67.5	86	355		
355M	610	560	254	75	95	140	170	20	25	67.5	86	355		
355L	610	630	254	75	95	140	170	20	25	67.5	86	355		

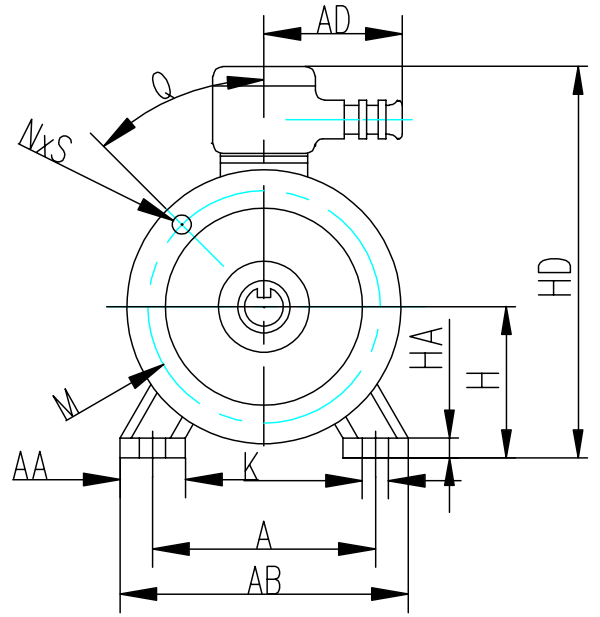
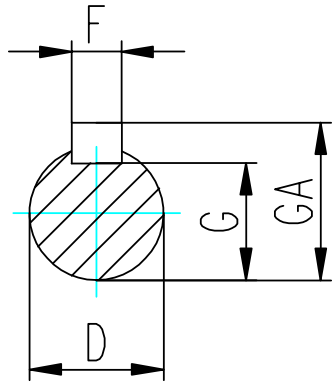


IMB3

Mounting and Overall Dimensions

K	No. of cable Entry		AA	AB	AC	AD	BB	HA	HD	HE	LA	L	
	Single	Double										2P	>4P
7	M34X1.5	-	30	130	150	165	110	8	230	230	10	270	270
7	M34X1.5	-	32	140	155	165	130	8	240	240	12	300	300
10	M30X2	-	34	165	180	225	135	10	340	340	15	330	330
10	M30X2	-	36	180	205	225	135	14	355	355	15	360	360
10	M30X2	-	36	180	205	225	160	14	355	355	15	385	385
12	M30X2	-	40	200	230	225	180	14	380	400	18	430	430
12	M30X2	-	50	245	230	225	185		400	420	18	460	460
12	M30X2	-	60	280	270	225	200	18	470	490	20	515	515
12	M30X2	-	60	280	270	225	240	18	470	49	20	550	550
15	M36X2	-	70	330	325	240	270	20	530	530	20	670	670
15	M36X2	-	70	330	325	240	314	20	530	530	20	710	710
15	M36X2	-	70	355	360	240	325	22	565	645	20	730	730
15	M36X2	-	70	355	360	240	365	22	565	645	20	750	750
19	M48X2	M48X2	70	390	400	290	370	25	645	750	22	810	810
19	M48X2	M48X2	75	435	450	290	370	28	690	750	22	-	845
19	M48X2	M48X2	75	435	450	290	395	28	690	750	22	840	870
24	M64X2	M48X2	80	490	500	350	425	30	770	880	25	950	950
24	M64X2	M48X2	85	545	560	350	450	35	830	910	25	990	1010
24	M64X2	M48X2	85	545	560	350	500	35	830	910	25	1040	1060
28	M85X2	M64X2	132	640	630	480	540	38	1050	1000	28	1330	1360
28	M85X2	M64X2	132	640	630	480	590	38	1050	1000	28	1360	1390
28	M85X2	M64X2	132	640	630	480	64	38	1050	1000	28	1500	1530
28	M85X2	M72X2	150	740	750	480	710	42	1150	1140	30	1520	1570
28	M85X2	M72X2	150	740	750	480	770	42	1150	1140	30	1600	1650
28	M85X2	M72X2	150	740	750	480	840	42	1150	1140	30	1700	1750

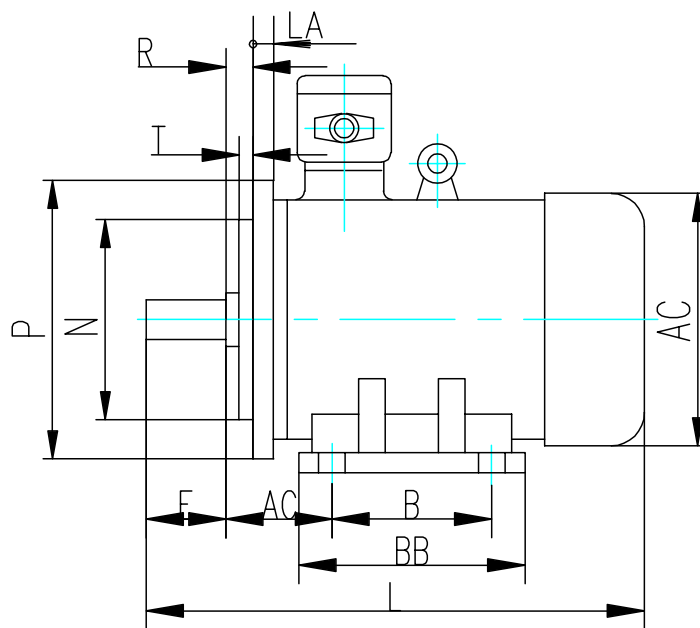
Dimension Drawings



IMB35

Mounting and Overall Dimension

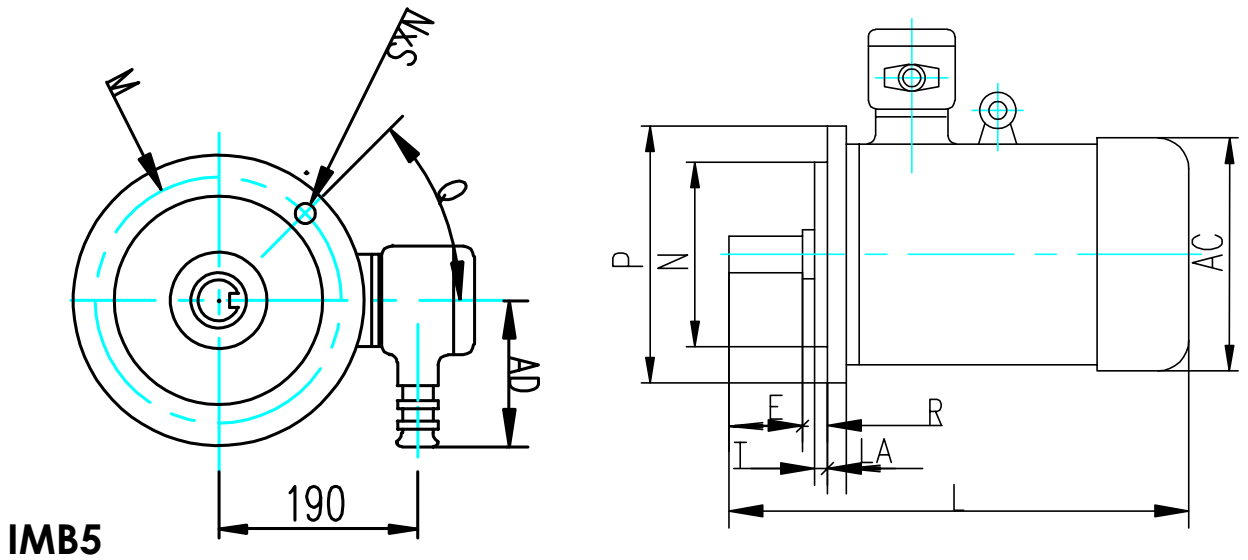
Frame Size	A	B	C	D		E		F		G		H	K	Flange Dimensions				
				Pole				M	N	P	R			S				
				2P	>4P	2P	>4P								2P	>4P	2P	>4P
63	100	80	40	11	23	4	8.5	63	7	115	95	140	0	45				
71	112	90	45	14	30	5	11	71	7	130	110	160	0	45				
80	125	100	50	19	40	6	15.5	80	10	165	130	200	0	45				
90S	140	100	56	24	50	8	20	90	10	165	130	200	0	45				
90L	140	125	56	24	50	8	20	90	10	165	130	200	0	45				
100L	160	140	63	28	60	8	24	100	12	215	180	250	0	45				
112M	190	140	70	28	60	8	24	112	12	215	180	250	0	45				
132S	216	140	89	38	80	10	33	132	12	265	230	300	0	45				
132M	216	178	89	38	80	10	33	132	12	265	230	300	0	45				
160M	254	210	108	42	110	12	37	160	15	300	250	350	0	45				
160L	254	254	108	42	110	12	37	160	15	300	250	350	0	45				
180M	279	241	121	48	110	14	42.5	180	15	300	250	350	0	45				
180L	279	279	121	48	110	14	42.5	180	15	300	250	350	0	45				
200L	318	305	133	55	110	16	49	200	19	350	300	400	0	45				
225S	356	286	149	55	60	110	140	16	18	49	53	225	19	400	350	450	0	22.5
225M	356	311	149	55	60	110	140	16	18	49	53	225	19	400	350	450	0	22.5
250M	406	349	168	60	65	140	140	18	18	53	58	250	24	500	450	550	0	22.5
280S	457	368	190	65	75	140	140	18	20	58	67.5	280	24	500	450	550	0	22.5
280M	457	419	190	65	75	140	140	18	20	58	67.5	280	24	500	450	550	0	22.5
315S	508	406	216	65	80	140	170	18	22	58	71	315	28	600	550	660	0	22.5
315M	508	457	216	65	80	140	170	18	22	58	71	315	28	600	550	660	0	22.5
315L	508	508	216	65	80	140	170	18	22	58	71	315	28	600	550	660	0	22.5
355S	610	500	254	75	95	140	170	20	25	67.5	86	355	28	740	680	800	0	22.5
355M	610	560	254	75	95	140	170	20	25	67.5	86	355	28	740	680	800	0	22.5
355L	610	630	254	75	95	140	170	20	25	67.5	86	355	28	740	680	800	0	22.5



Mounting and Overall Dimensions

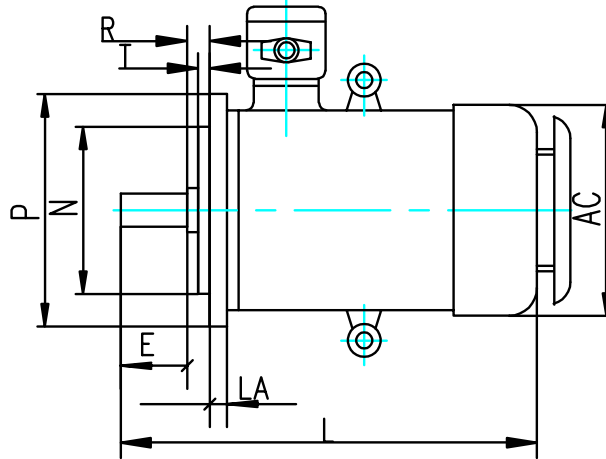
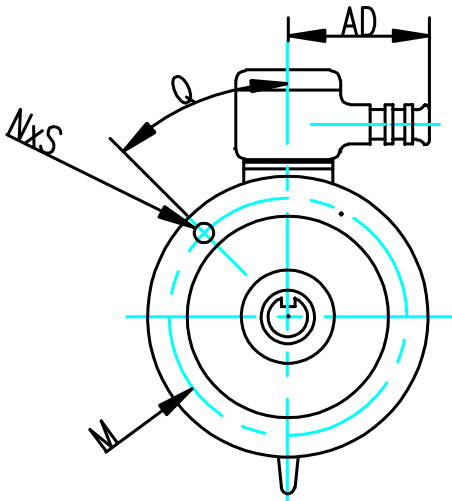
nXS	T	No. of cable entry		AA	AB	AC	AD	BB	HA	HB	HE	LA	L	
		Single	Double										2P	>4P
4XØ10	3.0	M34X1.5	-	30	130	150	165	110	8	230	230	10	270	270
4XØ10	3.0	M34X1.5	-	32	140	155	165	130	8	240	240	12	300	300
4XØ12	3.5	M30X2	-	34	165	180	225	135	10	340	340	15	330	330
4XØ12	3.5	M30X2	-	36	180	205	225	135	14	355	355	15	360	360
4XØ12	3.5	M30X2	-	36	180	205	225	160	14	355	355	15	385	385
4XØ15	4.0	M30X2	-	40	200	230	225	180	14	380	400	18	430	430
4XØ15	4.0	M30X2	-	50	245	230	225	185	16	400	420	18	460	460
4XØ15	4.0	M30X2	-	60	280	270	225	200	18	470	490	20	515	515
4XØ15	4.0	M30X2	-	60	280	270	225	240	18	470	49	20	550	550
4XØ19	5.0	M36X2	-	70	330	325	240	270	20	530	530	20	670	670
4XØ19	5.0	M36X2	-	70	330	325	240	314	20	530	530	20	710	710
4XØ19	5.0	M36X2	-	70	355	360	240	325	22	565	645	20	730	730
4XØ19	5.0	M36X2	-	70	355	360	240	365	22	565	645	20	750	750
4XØ19	5.0	M48X2	M48X2	70	390	400	290	370	25	645	750	22	810	810
4XØ19	5.0	M48X2	M48X2	75	435	450	290	370	28	690	750	22	-	845
4XØ19	5.0	M48X2	M48X2	75	435	450	290	395	28	690	750	22	840	870
4XØ19	5.0	M64X2	M48X2	80	490	500	350	425	30	770	880	25	950	950
4XØ19	5.0	M64X2	M48X2	85	545	560	350	450	35	830	910	25	990	1010
4XØ19	5.0	M64X2	M48X2	85	545	560	350	500	35	830	910	25	1040	1060
4XØ24	6.0	M85X2	M64X2	132	640	630	480	540	38	1050	1000	28	1330	1360
4XØ24	6.0	M85X2	M64X2	132	640	630	480	590	38	1050	1000	28	1360	1390
4XØ24	6.0	M85X2	M64X2	132	640	630	480	64	38	1050	1000	28	1500	1530
4XØ24	6.0	M85X2	M72X2	150	740	750	480	710	42	1150	1140	30	1520	1570
4XØ24	6.0	M85X2	M72X2	150	740	750	480	770	42	1150	1140	30	1600	1650
4XØ24	6.0	M85X2	M72X2	150	740	750	480	840	42	1150	1140	30	1700	1750

Dimension Drawings



Mounting and Overall Dimension

Frame Size	A	B	C	D		E		F		G		H	K	Flange Dimensions				
				Pole										M	N	P	R	8
				2P	>4P	2P	>4P	2P	>4P	2P	>4P							
63	100	80	40	11	23	4	8.5	63	7	115	95	140	0	45				
71	112	90	45	14	30	5	11	71	7	130	110	160	0	45				
80	125	100	50	19	40	6	15.5	80	10	165	130	200	0	45				
90S	140	100	56	24	50	8	20	90	10	165	130	200	0	45				
90L	140	125	56	24	50	8	20	90	10	165	130	200	0	45				
100L	160	140	63	28	60	8	24	100	12	215	180	250	0	45				
112M	190	140	70	28	60	8	24	112	12	215	180	250	0	45				
132S	216	140	89	38	80	10	33	132	12	265	230	300	0	45				
132M	216	178	89	38	80	10	33	132	12	265	230	300	0	45				
160M	254	210	108	42	110	12	37	160	15	300	250	350	0	45				
160L	254	254	108	42	110	12	37	160	15	300	250	350	0	45				
180M	279	241	121	48	110	14	42.5	180	15	300	250	350	0	45				
180L	279	279	121	48	110	14	42.5	180	15	300	250	350	0	45				
200L	318	305	133	55	110	16	49	200	19	350	300	400	0	45				
225S	356	286	149	55	60	110	140	16	18	49	53	225	19	400	350	450	0	22.5
225M	356	311	149	55	60	110	140	16	18	49	53	225	19	400	350	450	0	22.5
250M	406	349	168	60	65	140	140	18	18	53	58	250	24	500	450	550	0	22.5
280S	457	368	190	65	75	140	140	18	20	58	67.5	280	24	500	450	550	0	22.5
280M	457	419	190	65	75	140	140	18	20	58	67.5	280	24	500	450	550	0	22.5
315S	508	406	216	65	80	140	170	18	22	58	71	315	28	600	550	660	0	22.5
315M	508	457	216	65	80	140	170	18	22	58	71	315	28	600	550	660	0	22.5
315L	508	508	216	65	80	140	170	18	22	58	71	315	28	600	550	660	0	22.5
355S	610	500	254	75	95	140	170	20	25	67.5	86	355	28	740	680	800	0	22.5
355M	610	560	254	75	95	140	170	20	25	67.5	86	355	28	740	680	800	0	22.5
355L	610	630	254	75	95	140	170	20	25	67.5	86	355	28	740	680	800	0	22.5

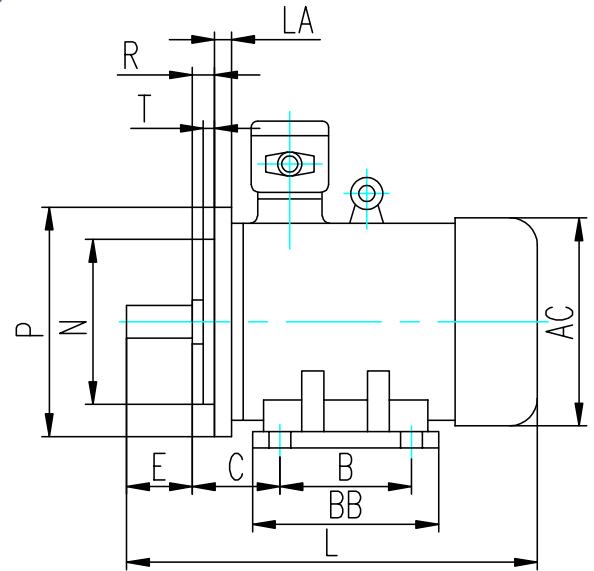
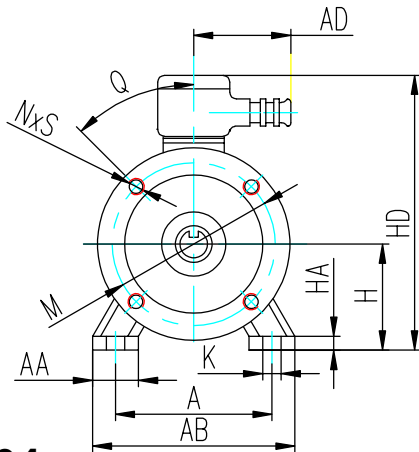


IMV1

Mounting and Overall Dimensions

		No. of cable entry		AA	AB	AC	AD	BB	HA	HB	HE	LA	L	
nXS	T	Single	Double										2P	>4P
4XØ10	3.0	M34X1.5	-	30	130	150	165	110	8	230	230	10	270	270
4XØ10	3.0	M34X1.5	-	32	140	155	165	130	8	240	240	12	300	300
4XØ12	3.5	M30X2	-	34	165	180	225	135	10	340	340	15	330	330
4XØ12	3.5	M30X2	-	36	180	205	225	135	14	355	355	15	360	360
4XØ12	3.5	M30X2	-	36	180	205	225	160	14	355	355	15	385	385
4XØ15	4.0	M30X2	-	40	200	230	225	180	14	380	400	18	430	430
4XØ15	4.0	M30X2	-	50	245	230	225	185	16	400	420	18	460	460
4XØ15	4.0	M30X2	-	60	280	270	225	200	18	470	490	20	515	515
4XØ15	4.0	M30X2	-	60	280	270	225	240	18	470	49	20	550	550
4XØ19	5.0	M36X2	-	70	330	325	240	270	20	530	530	20	670	670
4XØ19	5.0	M36X2	-	70	330	325	240	314	20	530	530	20	710	710
4XØ19	5.0	M36X2	-	70	355	360	240	325	22	565	645	20	730	730
4XØ19	5.0	M36X2	-	70	355	360	240	365	22	565	645	20	750	750
4XØ19	5.0	M48X2	M48X2	70	390	400	290	370	25	645	750	22	810	810
4XØ19	5.0	M48X2	M48X2	75	435	450	290	370	28	690	750	22	-	845
4XØ19	5.0	M48X2	M48X2	75	435	450	290	395	28	690	750	22	840	870
4XØ19	5.0	M64X2	M48X2	80	490	500	350	425	30	770	880	25	950	950
4XØ19	5.0	M64X2	M48X2	85	545	560	350	450	35	830	910	25	990	1010
4XØ19	5.0	M64X2	M48X2	85	545	560	350	500	35	830	910	25	1040	1060
4XØ24	6.0	M85X2	M64X2	132	640	630	480	540	38	1050	1000	28	1330	1360
4XØ24	6.0	M85X2	M64X2	132	640	630	480	590	38	1050	1000	28	1360	1390
4XØ24	6.0	M85X2	M64X2	132	640	630	480	64	38	1050	1000	28	1500	1530
4XØ24	6.0	M85X2	M72X2	150	740	750	480	710	42	1150	1140	30	1520	1570
4XØ24	6.0	M85X2	M72X2	150	740	750	480	770	42	1150	1140	30	1600	1650
4XØ24	6.0	M85X2	M72X2	150	740	750	480	840	42	1150	1140	30	1700	1750

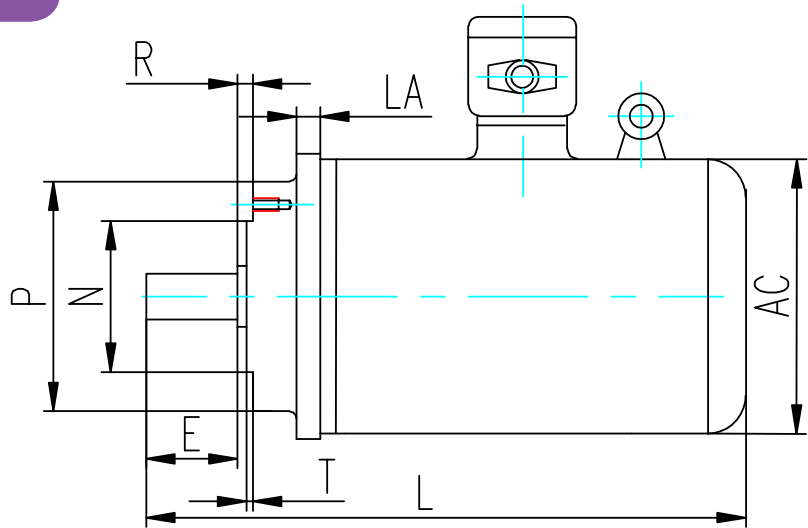
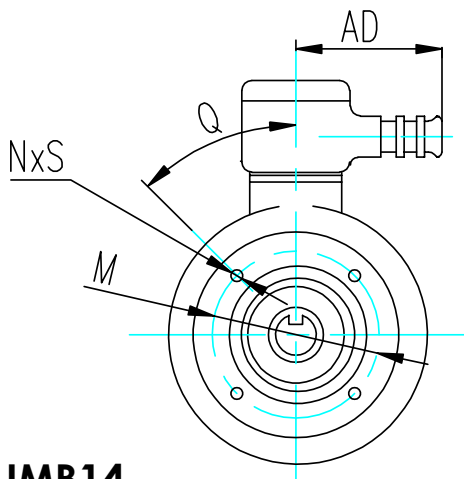
Dimension Drawings



IMB34

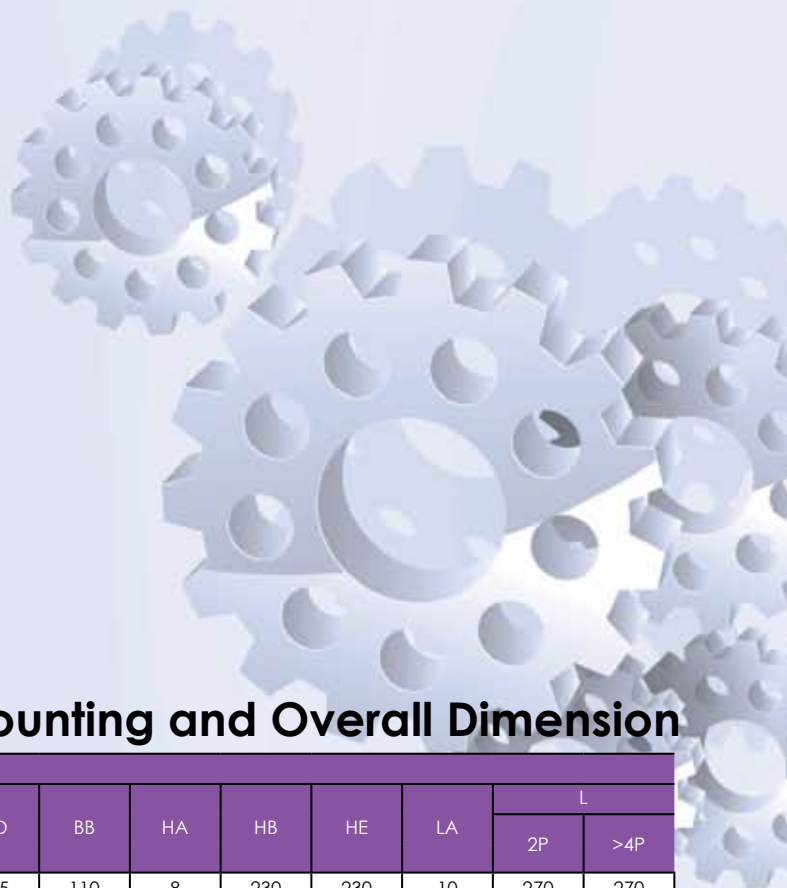
Frame Size	A	B	C	D				E				H	K	Flange Dimensions				
				Pole										M	N	P	R	8
				2P	>4P	2P	>4P	2P	>4P	2P	>4P							
63	100	80	40	11	23	4	8.5	63	7	75	60	90	0	45				
71	112	90	45	14	30	5	11	71	7	85	70	105	0	45				
80	125	100	50	19	40	6	15.5	80	10	100	80	120	0	45				
90S	140	100	56	24	50	8	20	90	10	115	95	140	0	45				
90L	140	125	56	24	50	8	20	90	10	115	95	140	0	45				
100L	160	140	63	28	60	8	24	100	12	130	110	160	0	45				
112M	190	140	70	28	60	8	24	112	12	130	110	160	0	45				

Dimension Drawings



IMB14

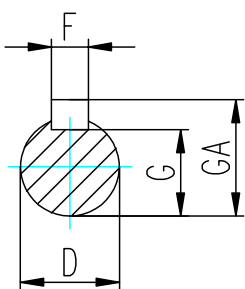
Frame Size	A	B	C	D				E				H	K	Flange Dimensions				
				Pole										M	N	P	R	8
				2P	>4P	2P	>4P	2P	>4P	2P	>4P							
63	100	80	40	11	23	4	8.5	63	7	75	60	90	0	45				
71	112	90	45	14	30	5	11	71	7	85	70	105	0	45				
80	125	100	50	19	40	6	15.5	80	10	100	80	120	0	45				
90S	140	100	56	24	50	8	20	90	10	115	95	140	0	45				
90L	140	125	56	24	50	8	20	90	10	115	95	140	0	45				
100L	160	140	63	28	60	8	24	100	12	130	110	160	0	45				
112M	190	140	70	28	60	8	24	112	12	130	110	160	0	45				



Mounting and Overall Dimension

Mounting and Overall Dimensions

nXS		T	No. of cable entry		AA	AB	AC	AD	BB	HA	HB	HE	LA	L	
			Single	Double										2P	>4P
4XM5	2.5	M34X1.5	-	30	130	150	165	110	8	230	230	10	270	270	
4XM6	2.5	M34X1.5	-	32	140	155	165	130	8	240	240	12	300	300	
4XM6	3.0	M30X2	-	34	165	180	225	135	10	340	340	15	330	330	
4XM8	3.0	M30X2	-	36	180	205	225	135	14	355	355	15	360	360	
4XM8	3.0	M30X2	-	36	180	205	225	160	14	355	355	15	385	385	
4XM8	3.5	M30X2	-	40	200	230	225	180	14	380	400	18	430	430	
4XM8	3.5	M30X2	-	50	245	230	225	185	16	400	420	18	460	460	



Mounting and Overall Dimension

Mounting and Overall Dimensions

nXS		T	No. of cable entry		AA	AB	AC	AD	BB	HA	HB	HE	LA	L	
			Single	Double										2P	>4P
4XM5	2.5	M34X1.5	-	30	130	150	165	110	8	230	230	10	270	270	
4XM6	2.5	M34X1.5	-	32	140	155	165	130	8	240	240	12	300	300	
4XM6	3.0	M30X2	-	34	165	180	225	135	10	340	340	15	330	330	
4XM8	3.0	M30X2	-	36	180	205	225	135	14	355	355	15	360	360	
4XM8	3.0	M30X2	-	36	180	205	225	160	14	355	355	15	385	385	
4XM8	3.5	M30X2	-	40	200	230	225	180	14	380	400	18	430	430	
4XM8	3.5	M30X2	-	50	245	230	225	185	16	400	420	18	460	460	

Type	Ratings			Efficiency %			Power Factor cosØ	
	Output kW	Current (380V)A	Speed r/min	Load			Load	
				1.00	0.75	0.50	1.00	0.75
Synchronous speed 3000r/min								
YB2-631-2	0.18	0.52	2800	66.0	67.0	65.0	0.80	0.72
YB2-632-2	0.25	0.69	2800	68.0	70.0	69.0	0.81	0.74
YB2-711-2	0.37	0.99	2800	70.0	73.0	69.8	0.81	0.75
YB2-712-2	0.55	1.38	2800	73.0	76.0	72.6	0.83	0.78
YB2-801-2	0.75	1.83	2825	75.0	75.0	74.8	0.83	0.77
YB2-802-2	1.1	2.55	2825	78.0	79.2	77.6	0.84	0.79
YB2-90S-2	1.5	3.43	2840	79.0	80.0	79.8	0.84	0.79
YB2-90L-2	2.2	4.85	2840	81.0	82.0	80.8	0.85	0.82
YB2-100L-2	3	6.24	2880	83.0	83.2	82.8	0.88	0.84
YB2-112M-2	4	8.12	2890	85.0	85.6	84.8	0.88	0.84
YB2-132S1-2	5.5	11.0	2900	86.0	86.7	86.5	0.88	0.84
YB2-132S2-2	7.5	14.9	2900	87.0	88.0	87.8	0.88	0.85
YB2-160M1-2	11	21.5	2930	88.4	88.6	88.1	0.88	0.85
YB2-160M2-2	15	28.6	2930	89.4	89.8	89.2	0.89	0.87
YB2-160L-2	18.5	35.1	2930	90.0	90.4	89.6	0.89	0.88
YB2-180M-2	22.0	41.0	2940	90.5	90.5	89.9	0.90	0.86
YB2-200L1-2	30.0	55.4	2950	91.4	91.6	91.0	0.90	0.87
YB2-200L2-2	37.0	67.9	2950	92.0	92.1	91.6	0.90	0.88
YB2-225M-2	45.0	82.1	2970	92.5	92.5	92.0	0.90	0.88
YB2-250M-2	55.0	99.8	2970	93.0	93.0	92.4	0.90	0.88
YB2-280S-2	75.0	133.8	2970	93.6	93.6	93.0	0.91	0.89
YB2-280M-2	90.0	160.0	2970	93.9	93.9	93.3	0.91	0.87
YB2-315S-2	110	195.4	2980	94.0	93.8	93.0	0.91	0.90
YB2-315M-2	132	233.2	2980	94.5	94.3	93.6	0.91	0.89
YB2-315L1-2	160	279.3	2980	94.6	94.4	93.8	0.92	0.91
YB2-315L-2	185	323.0	2980	94.6	94.4	94.0	0.92	0.91
YB2-315L2-2	200	348.4	2980	94.8	94.7	94.0	0.92	0.91
YB2-355S1-2	185	323.0	2980	94.6	94.6	94.3	0.92	0.91
YB2-355S2-2	200	348.4	2980	94.8	94.7	94.4	0.92	0.91
YB2-355M1-2	220	383.2	2980	94.8	94.8	94.6	0.92	0.91
YB2-355M2-2	250	433.2	2980	95.3	95.3	94.9	0.92	0.91
YB2-355L1-2	280	485.2	2980	95.3	95.3	94.9	0.92	0.91
YB2-355L2-2	315	544.1	2980	95.6	95.5	95.2	0.92	0.91

2 Pole Performance Data 50Hz

Note : Data subject to change without notice

- 1. TST = Locked rotor torque; TFL= Full load torque;
- IST = Locked rotor current; IFL = Full load current;
- TM = Maximum torque

	Locked Rotor	Locked Rotor	Pull-out Torque Rated Torque	Noise dB(A)	Vibration Class mm/s	Inertia Movement kgm3	Weight kg
	Torque Rated Torque	Current Rated Torque					
0.50							
0.59	2.2	5.0	2.3	61	1.80	-	-
0.61	2.2	5.0	2.3	61	1.80	-	-
0.64	2.2	5.5	2.3	64	1.80	-	-
0.68	2.2	5.5	2.3	64	1.80	-	-
0.65	2.2	6.0	2.3	67	1.80	0.004	22
0.69	2.2	6.0	2.3	67	1.80	0.005	24
0.7	2.2	7.0	2.3	72	1.80	0.007	33
0.75	2.2	7.0	2.3	72	1.80	0.009	37
0.75	2.2	7.0	2.3	76	1.80	0.017	43
0.76	2.2	7.0	2.3	77	1.80	0.030	54
0.77	2.2	7.5	2.3	80	1.80	0.063	79
0.79	2.2	7.5	2.4	80	1.80	0.073	87
0.78	2.2	7.5	2.4	86	2.80	0.210	140
0.82	2.2	7.5	2.4	86	2.80	0.250	152
0.84	2.2	7.5	2.3	86	2.80	0.310	168
0.78	2.0	7.5	2.4	89	2.80	0.370	220
0.81	2.0	7.5	2.4	92	2.80	0.630	290
0.82	2.0	7.5	2.3	92	2.80	0.730	305
0.82	2.0	7.5	2.3	92	2.80	1.280	400
0.83	2.1	7.5	2.3	93	3.50	1.550	460
0.84	2.0	7.5	2.3	94	3.50	1.890	625
0.82	2.1	7.5	2.3	94	3.50	2.020	728
0.84	1.8	7.0	2.3	96	3.50	2.260	1100
0.85	1.8	7.0	2.3	96	3.50	2.420	1160
0.86	1.8	7.0	2.3	99	3.50	2.760	1350
0.87	1.8	7.0	2.3	99	3.50	3.220	1500
0.87	1.8	7.0	2.3	99	3.50	3.410	1600
0.87	1.8	7.0	2.3	99	3.50	3.860	1690
0.87	1.8	7.0	2.3	99	3.50	4.820	1690
0.88	1.6	7.0	2.4	103	3.50	5.460	1840
0.88	1.6	7.0	2.4	103	3.50	6.220	2100
0.88	1.6	7.0	2.4	103	3.50	6.540	2260
0.88	1.6	7.0	2.4	103	3.50	6.950	2320

Type	Ratings			Efficiency %			Power Factor cosØ	
	Output kW	Current (380V)A	Speed r/min	Load			Load	
				1.00	0.75	0.50	1.00	0.75
Synchronous speed 1500r/min								
YB2-631-4	0.12	0.44	1380	58.0	59.0	56.0	0.72	0.62
YB2-632-4	0.18	0.59	1380	63.0	63.9	61.0	0.73	0.63
YB2-711-4	0.25	0.78	1380	66.0	67.0	65.8	0.74	0.65
YB2-712-4	0.4	1.09	1380	69.0	71.0	68.9	0.75	0.67
YB2-801-4	0.6	1.57	1390	71.0	71.5	70.2	0.75	0.68
YB2-802-4	0.8	2.03	1390	73.0	74.0	72.6	0.77	0.71
YB2-90S-4	1.1	2.89	1400	75.0	76.0	74.8	0.77	0.71
YB2-90L-4	1.5	3.70	1400	78.0	79.0	77.6	0.79	0.73
YB2-100L1-4	2.2	5.16	1420	80.0	80.5	79.6	0.81	0.76
YB2-100L2-4	3.0	6.78	1420	82.0	83.0	81.6	0.82	0.77
YB2-112M-4	4.0	8.82	1440	84.0	85.0	83.6	0.82	0.77
YB2-132S-4	5.5	11.60	1440	86.0	87.0	86.9	0.84	0.79
YB2-132M-4	7.5	15.40	1440	87.0	88.0	87.8	0.85	0.81
YB2-160M-4	11.0	22.30	1460	88.0	88.5	87.6	0.85	0.81
YB2-160L-4	15.0	30.10	1460	89.0	89.7	88.6	0.85	0.82
YB2-180M-4	18.5	36.50	1470	90.5	90.9	90.2	0.85	0.81
YB2-180L-4	22.0	43.10	1470	91.2	91.6	91.0	0.85	0.82
YB2-200L-4	30.0	57.60	1470	92.0	92.2	91.6	0.86	0.82
YB2-225S-4	37.0	69.90	1480	92.5	92.6	92.0	0.87	0.83
YB2-225M-4	45.0	84.70	1480	92.8	92.8	91.4	0.87	0.83
YB2-250M-4	55.0	103.3	1480	93.0	93.2	92.8	0.87	0.84
YB2-280S-4	75.0	139.6	1480	93.8	93.9	93.5	0.87	0.85
YB2-280M-4	90.0	166.8	1485	94.2	94.2	93.6	0.87	0.85
YB2-315S-4	110	198.7	1485	94.5	94.4	93.8	0.89	0.87
YB2-315M-4	132	237.7	1485	94.8	94.7	94.2	0.89	0.88
YB2-315L1-4	160	284.3	1485	95.0	94.9	94.4	0.90	0.88
YB2-315L-4	185	328.7	1485	95.0	94.9	94.7	0.90	0.88
YB2-315L2-4	200	354.6	1485	95.2	95.0	94.7	0.90	0.88
YB2-355S1-4	185	328.7	1488	95.0	94.8	94.6	0.90	0.89
YB2-355S2-4	200	354.6	1488	95.2	95.1	94.7	0.90	0.88
YB2-355M1-4	220	390.1	1488	95.2	95.1	94.8	0.90	0.89
YB2-355M2-4	250	441.9	1488	95.5	95.4	95.2	0.90	0.89
YB2-355L1-4	280	494.9	1488	95.5	95.4	95.2	0.90	0.89
YB2-355L2-4	315	556.2	1488	95.6	95.5	95.3	0.90	0.89

4 Pole Performance Data 50Hz

Note : Data subject to change without notice

	Locked Rotor	Locked Rotor	Pull-out Torque Rated Torque	Noise dB(A)	Vibration Class mm/s	Inertia Movement kgm3	Weight kg
	Torque Rated Torque	Current Rated Torque					
0.50							
0.49	2.0	4.0	2.2	52	1.80	-	-
0.51	2.0	4.0	2.2	52	1.80	-	-
0.53	2.0	4.0	2.2	55	1.80	-	-
0.56	2.0	4.0	2.2	55	1.80	-	-
0.55	2.4	5.0	2.3	58	1.80	0.006	22
0.59	2.4	5.0	2.3	58	1.80	0.007	24
0.60	2.3	6.0	2.3	61	1.80	0.012	33
0.62	2.3	6.0	2.3	61	1.80	0.015	37
0.65	2.3	6.0	2.4	64	1.80	0.031	43
0.67	2.3	6.0	2.4	64	1.80	0.039	47
0.67	2.3	6.0	2.4	65	1.80	0.059	58
0.69	2.3	7.0	2.4	71	1.80	0.113	80
0.73	2.3	7.0	2.4	71	1.80	0.167	95
0.71	2.2	7.0	2.4	75	2.80	0.360	150
0.75	2.2	7.0	2.4	75	2.80	0.420	168
0.72	2.2	7.0	2.3	76	2.80	0.680	220
0.73	2.2	7.0	2.3	76	2.80	0.072	242
0.74	2.2	7.2	2.4	79	2.80	0.810	335
0.74	2.2	7.2	2.4	81	2.80	1.210	400
0.75	2.2	7.2	2.4	81	2.80	1.850	415
0.77	2.2	7.2	2.4	83	3.50	2.320	560
0.79	2.2	7.2	2.4	86	3.50	2.860	665
0.78	2.2	7.2	2.4	86	3.50	3.340	780
0.81	2.1	7.0	2.4	93	3.50	4.680	1150
0.84	2.1	7.0	2.4	93	3.50	4.960	1200
0.83	2.1	7.0	2.4	97	3.50	5.220	1320
0.85	2.1	7.0	2.4	97	3.50	5.430	1420
0.85	2.1	7.0	2.3	97	3.50	5.620	1500
0.84	2.1	7.0	2.4	97	3.50	6.450	1700
0.84	2.1	7.0	2.3	97	3.50	6.560	1800
0.85	2.1	7.0	2.4	101	3.50	6.880	1830
0.86	2.1	7.0	2.4	101	3.50	7.220	1940
0.86	2.1	7.0	2.4	101	3.50	7.460	2080
0.86	2.1	7.0	2.4	101	3.50	7.680	2260

Type	Ratings			Efficiency %			Power Factor cosØ	
	Output kW	Current (380V)A	Speed r/min	Load			Load	
				1.00	0.75	0.50	1.00	0.75
Synchronous speed 1000r/min								
YB2-711-6	0.18	0.67	910	62.0	61.7	57.5	0.66	0.57
YB2-712-6	0.25	0.89	910	63.0	63.0	60.0	0.68	0.59
YB2-801-6	0.37	1.27	910	63.0	63.2	60.0	0.70	0.60
YB2-802-6	0.55	1.76	910	66.0	67.1	65.8	0.72	0.63
YB2-90S-6	0.75	2.29	910	69.0	70.0	68.0	0.72	0.63
YB2-90L-6	1.1	3.14	910	73.0	74.0	72.7	0.73	0.65
YB2-100L-6	1.5	3.95	940	76.0	77.2	75.2	0.76	0.69
YB2-112M-6	2.2	5.57	940	79.0	80.0	78.6	0.76	0.69
YB2-132S-6	3	7.31	960	81.0	83.9	83.2	0.77	0.71
YB2-132M1-6	4	9.39	960	83.0	85.7	75.1	0.78	0.71
YB2-132M2-6	5.5	12.6	960	85.0	86.0	85.2	0.78	0.72
YB2-160M-6	7.5	16.8	970	86.0	86.7	85.9	0.79	0.73
YB2-160L-6	11	24.2	970	87.5	88.0	87.2	0.79	0.75
YB2-180L-6	15	31.6	970	89.0	89.7	88.9	0.81	0.77
YB2-200L1-6	18.5	37.6	970	90.0	90.4	89.8	0.83	0.79
YB2-200L2-6	22	44.7	970	90.0	90.5	89.7	0.83	0.79
YB2-225M-6	30	57.6	980	92.0	92.4	91.8	0.86	0.83
YB2-250M-6	37	71.0	980	92.0	92.3	91.8	0.86	0.83
YB2-280S-6	45	85.9	980	92.5	92.6	92.2	0.86	0.83
YB2-280M-6	55	104.7	980	92.8	92.8	92.0	0.86	0.84
YB2-315S-6	75	141.7	985	93.5	93.3	92.6	0.86	0.83
YB2-315M-6	90	169.5	985	93.8	93.6	93.2	0.86	0.83
YB2-315L1-6	110	206.7	985	94.0	93.8	93.4	0.86	0.84
YB2-315L2-6	132	244.7	985	94.2	94.0	93.6	0.87	0.85
YB2-355S-6	160	292.3	985	94.5	94.4	94.1	0.88	0.86
YB2-355M1-6	185	338.0	985	94.5	94.4	94.1	0.88	0.87
YB2-355M2-6	200	364.6	985	94.7	94.6	94.3	0.88	0.87
YB2-355L1-6	220	401.1	985	94.7	94.6	94.4	0.88	0.87
YB2-355L2-6	250	454.3	985	95.0	94.9	94.5	0.88	0.87

6 Pole Performance Data 50 Hz

Note : Data subject to change without notice

	Locked Rotor	Locked Rotor	Pull-out Torque Rated Torque	Noise dB(A)	Vibration Class mm/s	Inertia Movement kgm3	Weight kg
	Torque Rated Torque	Current Rated Torque					
0.50							
0.45	1.9	4.0	2.1	52	1.80		
0.46	1.9	4.0	2.1	52	1.80		
0.48	1.9	4.0	2.1	54	1.80		
0.50	1.9	4.0	2.1	54	1.80		
0.51	2.1	4.0	2.1	57	1.80		
0.52	2.1	5.0	2.1	57	1.80		
0.57	2.1	5.0	2.1	61	1.80		
0.58	2.1	5.0	2.1	65	1.80		
0.59	2.1	6.0	2.4	69	1.80		
0.59	2.1	6.0	2.4	69	1.80		
0.60	2.1	6.5	2.4	69	1.80		
0.63	2.1	6.5	2.4	73	2.80	0.460	154
0.65	2.1	6.5	2.4	73	2.80	0.610	176
0.67	2.1	7.0	2.1	73	2.80	1.010	225
0.70	2.2	7.0	2.4	76	2.80	1.620	290
0.70	2.2	7.0	2.4	76	2.80	1.840	315
0.76	2.1	7.0	2.4	76	2.80	2.430	410
0.77	2.1	7.0	2.4	78	3.50	2.680	525
0.76	2.1	7.0	2.4	80	3.50	3.460	635
0.79	2.1	7.0	2.3	80	3.50	3.970	730
0.74	2.0	7.0	2.2	85	3.50	4.570	1080
0.76	2.0	7.0	2.2	85	3.50	4.830	1140
0.77	2.0	7.0	2.2	85	3.50	5.320	1310
0.78	2.0	7.0	2.2	85	3.50	5.950	1400
0.81	2.0	7.0	2.2	92	3.50	7.320	1650
0.82	2.0	7.0	2.2	92	3.50	7.890	1760
0.82	2.0	7.0	2.2	92	3.50	8.170	1970
0.83	2.0	7.0	2.2	92	3.50	8.250	2140
0.83	2.0	7.0	2.2	92	3.50	8.360	2250

Type	Ratings			Efficiency %			Power Factor cosØ	
	Output kW	Current (380V)A	Speed r/min	Load			Load	
				1.00	0.75	0.50	1.00	0.75
Synchronous speed 750r/min								
YB2-801-8	0.18	0.86	710	52.0	50.0	45.0	0.61	0.52
YB2-802-8	0.25	1.13	710	55.0	54.0	48.0	0.61	0.52
YB2-90S-8	0.37	1.44	710	63.0	62.8	58.0	0.62	0.52
YB2-90L-8	0.55	2.07	710	64.0	63.6	61.0	0.63	0.52
YB2-100L1-8	0.75	2.36	710	71.0	71.0	68.4	0.68	0.58
YB2-100L2-8	1.1	3.32	710	73.0	73.6	72.0	0.69	0.60
YB2-112M-8	1.5	4.40	710	75.0	76.2	74.8	0.69	0.61
YB2-132S-8	2.2	5.80	710	79.0	80.0	79.0	0.73	0.65
YB2-132M-8	3	7.71	710	81.0	82.0	79.9	0.73	0.65
YB2-160M1-8	4	10.3	720	81.0	81.7	80.7	0.73	0.65
YB2-160M2-8	5.5	13.4	720	83.0	83.7	82.8	0.75	0.67
YB2-160L-8	7.5	17.6	720	85.0	86.8	84.6	0.76	0.69
YB2-180L-8	11	25.3	730	87.0	87.4	86.7	0.76	0.69
YB2-200L-8	15	33.7	730	89.0	89.2	88.4	0.76	0.69
YB2-225S-8	18.5	40.0	730	90.0	90.3	89.7	0.78	0.73
YB2-225M-8	22	47.4	730	90.5	90.8	89.3	0.78	0.73
YB2-250M-8	30	63.4	730	91.0	91.5	89.8	0.79	0.75
YB2-280S-8	37	77.8	740	91.5	91.7	91.0	0.79	0.74
YB2-280M-8	45	94.1	740	92.0	92.3	91.7	0.79	0.75
YB2-315S-8	55	111.2	740	92.8	92.5	91.2	0.81	0.73
YB2-315M-8	75	151.3	740	93.0	92.7	91.8	0.81	0.75
YB2-315L1-8	90	177.8	740	93.8	93.6	92.3	0.82	0.76
YB2-315L2-8	110	216.8	740	94.0	93.7	92.7	0.82	0.76
YB2-355S-8	132	259.6	740	94.2	94.1	93.5	0.82	0.78
YB2-355M-8	160	313.4	740	94.6	94.5	93.9	0.82	0.78
YB2-355L1-8	185	362.3	740	94.6	94.5	94.2	0.82	0.80
YB2-355L2-8	200	386.2	740	94.8	94.7	94.1	0.83	0.80

8 Pole Performance Data 50Hz

Type	Ratings			Efficiency %			Power Factor cosØ	
	Output kW	Current (380V)A	Speed r/min	Load			Load	
				1.00	0.75	0.50	1.00	0.75
Synchronous speed 600r/min								
YB2-315S-10	45	99.1	585	92.0	91.8	91.2	0.75	0.70
YB2-315M-10	55	121.1	585	92.0	94.8	91.1	0.75	0.70
YB2-315L1-10	75	162.1	585	92.5	92.3	91.7	0.76	0.72
YB2-315L2-10	90	190.9	585	93.0	92.8	92.2	0.77	0.73
YB2-355S-10	90	190.9	585	93.0	92.7	91.8	0.77	0.72
YB2-355M1-10	110	229.9	585	93.2	93.1	92.2	0.78	0.73
YB2-355M2-10	132	275.0	585	93.5	93.3	92.3	0.78	0.72
YB2-355L1-10	160	333.0	585	93.6	93.4	92.5	0.78	0.73
YB2-355L2-10	185	385.0	585	93.6	93.5	92.7	0.78	0.74

10 Pole Performance Data 50Hz

	Locked Rotor	Locked Rotor	Pull-out Torque Rated Torque	Noise dB(A)	Vibration Class mm/s	Inertia Movement kgm3	Weight kg
	Torque Rated Torque	Current Rated Torque					
0.50							
0.42	1.8	3.3	1.9	52	1.80		
0.41	1.8	3.3	1.9	52	1.80		
0.41	1.8	4.0	2.0	56	1.80		
0.41	1.8	4.0	2.0	56	1.80		
0.46	1.8	4.0	2.0	59	1.80		
0.47	1.8	4.0	2.0	59	1.80		
0.48	1.8	4.0	2.0	61	1.80		
0.52	1.8	5.5	2.2	64	1.80		
0.52	1.8	5.5	2.2	64	1.80		
0.53	1.9	6.0	2.2	68	2.80	0.320	132
0.55	1.9	6.0	2.2	68	2.80	0.460	144
0.57	1.9	6.0	2.2	68	2.80	0.610	175
0.58	1.9	6.0	2.2	70	2.80	1.060	225
0.58	2.0	6.5	2.2	73	2.80	1.600	315
0.63	2.0	6.5	2.2	73	2.80	2.280	375
0.63	2.0	6.5	2.2	73	2.80	2.740	395
0.65	1.9	6.5	2.0	75	3.50	3.670	530
0.65	1.8	6.0	2.0	76	3.50	5.160	605
0.66	1.8	6.0	2.0	76	3.50	5.820	700
0.64	1.9	6.5	2.2	82	3.50	6.740	920
0.65	1.9	6.5	2.2	82	3.50	7.350	1100
0.66	1.9	6.5	2.2	82	3.50	8.790	1120
0.66	1.9	6.5	2.2	82	3.50	9.180	1300
0.70	2.0	6.5	2.2	90	3.50	10.190	1640
0.70	2.0	6.5	2.2	90	3.50	11.240	1820
0.73	2.0	6.5	2.2	90	3.50	12.480	2100
0.72	2.0	6.5	2.2	90	3.50	13.560	2200

	Locked Rotor	Locked Rotor	Pull-out Torque Rated Torque	Noise dB(A)	Vibration Class mm/s	Inertia Movement kgm3	Weight kg
	Torque Rated Torque	Current Rated Torque					
0.50							
0.61	1.5	6.0	2.1	82	2.80		
0.61	1.5	6.0	2.1	82	2.80		
0.62	1.5	6.0	2.1	82	2.80		
0.64	1.5	6.0	2.1	82	2.80		
0.62	1.5	6.0	2.1	82	2.80		
0.62	1.3	5.5	2.1	90	2.80		
0.62	1.3	5.5	2.1	90	2.80		
0.63	1.3	5.5	2.1	90	2.80		
0.64	1.3	5.5	2.1	90	2.80		

Note : Data subject to change without notice



SINGAPORE HQ

ATT Electric & Machinery Pte Ltd

6 Fifth Lok Yang Road
Singapore 629757

Tel: (65) 6261 3579

Fax: (65) 62611263

Email: att@attelec.com

Website: www.attelec.com

MALAYSIA

ATT Electric & Machinery Sdn Bhd

Lot 5 Minlon Industrial Park
Jalan Minlon Utama Off Jalan Taming 2
43300 Balakong
Selangor Darul Ehsan, Malaysia

Telephone: (603) 8962 2239/1236/6239

Fax: (603) 8962 1239

Email: 3mktg@attelec.com

Website: www.attelec.com

INDONESIA

PT. KTZ Dinamik

Jl. Raya Serpong KM.7, Kawasan Multiguna,
Paku Alam, Blok A/6A, Kel. Paku Alam,
Kec. Serpong Utara, Tangerang 15310,
Indonesia.

Telephone: (62) 21- 5399 452/453

Fax: (62) 21- 5312 3043

Email: info@ktzdinamik.com

Website: www.ktzdinamik.com

CHINA

Fuzhou KTZ Electric & Machinery Co. Ltd

4-1#, The Second Period, Mayang
Industrial Area ChenFeng Town,
Yongtai County,
Fuzhou, Fujian, China
Postal Code: 350700

Tel: (+86) 591-24878396

Fax: (+86) 591-24878396

Email: info.cn@ktzasia.com

VIETNAM

KTZ Electric & Machinery (VN) Co. Ltd

Lot A13.10, Trung Tam Street, Bourbon An Hoa
Industrial Park, Trang Bang, Tay Ninh,
Vietnam.

Tel: (+84) 663899611

Fax: (+84) 663899612

Email: info.vn@ktzasia.com

Authorized Dealer:



Catalogue No.: ATT/AT-CT/2012

Copyright © 2011 ATT Electric & Machinery Pte Ltd. All Rights Reserved.

All design, information and images displayed in this catalogue are property of ATT Electric & Machinery Pte Ltd and may not be reproduced in any manner or form without the expressed written permission of ATT Electric & Machinery Pte Ltd.